

Тройник

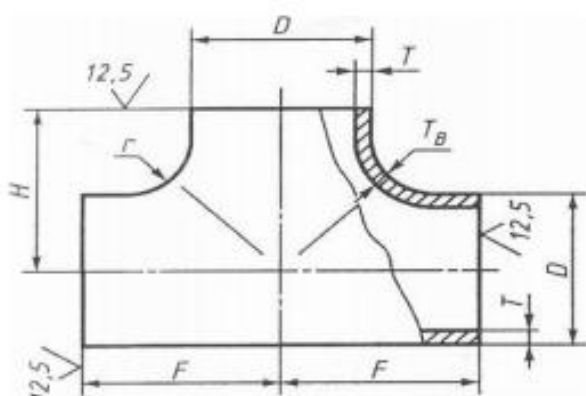
ГОСТ 17376-01

Технические характеристики:

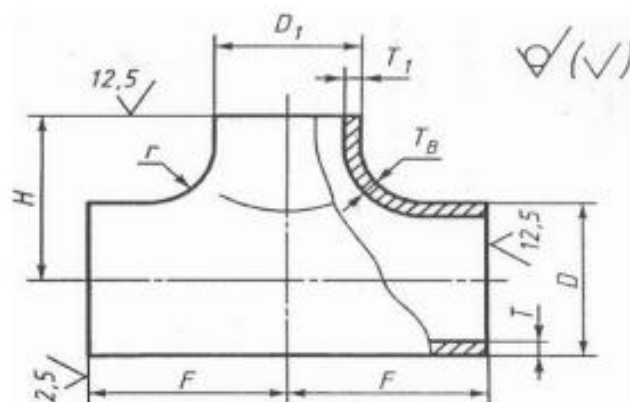
Условный диаметр: Ду 25-400

Температура: от -70 °С до +600 °С

Марка стали: сталь20, 09Г2С, AISI 304/316/321/316Ti/904L



Равнопроходный



Переходный

DN	D (mm)	T (mm)	D ₁ (mm)	T ₁ (mm)	F (mm)	H (mm)	г, не менее (mm)	Масса, кг
40	45	2.5	---	---	40	40	---	0.3
		4	---	---				0.4
		5	---	---				0.4
50	57	3	45	2.5	50	45	---	0.4
		4	45	3				0.6
		5	45	4				0.7
		3	---	---				0.4
		4	---	---				0.6
		5	---	---				0.7
65	76	3.5	45	2.5	65	60	5	0.8
		6	45	4				1.4
		7	45	5				1.6
		3.5	57	3				0.8
		6	57	5				1.4
		7	57	5.5				1.6
		3.5	---	---				0.8
		6	---	---				1.4
		7	---	---				1.6
80	89	3.5	57	3	80	70	5	1.5
		6	57	4				2
		8	57	5.5				2.7
		3.5	76	3.5				1.5
		6	76	6				2
		8	76	7				2.7
		3.5	---	---				1.5
		6	---	---				2
		8	---	---				2.7
100	108	4	76	3.5	100	80	5	2.2
		6	76	5.0/6.0				3.3
		8	76	7				4.5
		9	76	7				4.9
		4	89	4				2.2
		6	89	6				3.3
		8	89	8				4.5
		9	89	8				4.9
		4	---	---				2.2
		6	---	---				3.3
		8	---	---				4.5
		9	---	---				4.9
125	133	4	89	3.5	110	95	6	2.9

		6	89	5				4.1
		8	89	6				5.9
		10	89	8				6.8
		12	89	9				8
		4	108	4				2.9
		6	108	5				4.1
		8	108	6				5.9
		10	108	9				6.8
		12	108	10				8
		4	---	---				2.9
		6	---	---				4.1
		8	---	---				5.9
		10	---	---				6.8
		12	---	---				8
150	159	4.5	108	4	130	110	8	4.8
		6	108	5				6.6
		8	108	6				9
		10	108	9				10.1
		12	108	10				12.2
		4.5	133	4				4.8
		6	133	5				6.6
		8	133	6				9
		10	133	10				10
		12	133	12				12.2
		4.5	---	---				4.8
		6	---	---				6.6
		8	---	---				9
		10	---	---				10.1
12	---	---	12.2					
200	219	6	133	5	160	140	10	10.2
		8	133	6				13.8
		10	133	8				16.8
		12	133	10				19.9
		16	133	16				26.6
		6	159	6				10.2
		8	159	6				13.8
		10	159	8				16.8
		12	159	11				19.9
		16	159	12				26.6
		6	---	---				10.2
		8	---	---				13.8

		10	---	---				16.8
		12	---	---				19.9
		16	---	---				26.6
250	273	7	159	4.5	190	175	12	18.4
		10	159	6				26
		12	159	8				31.2
		16	159	11				41.6
		18	159	12				46.8
		7	219	6				18.4
		10	219	8				26
		12	219	10				31.2
		16	219	12				41.6
		18	219	16				46.8
		7	---	---				18.4
		10	---	---				26
		12	---	---				31.2
		16	---	---				41.6
		18	---	---				46.8
		300	325	8				219
10	219			8	34.2			
12	219			10	41.1			
16	219			12	54.8			
22	219			16	75.3			
8	273			7	27.4			
10	273			10	34.2			
12	273			12	41.1			
16	273			16	54.8			
22	273			18	75.3			
8	---			---	27.4			
10	---			---	34.2			
12	---			---	41.1			
16	---			---	54.8			
22	---			---	75.3			
350	377			10	273	7	240	225
		12	273	10	55.2			
		16	273	12	73.6			
		20	273	16	92			
		10	325	8	46			
		12	325	10	55.2			
		16	325	16	73.6			
		20	325	18	92			

		10	---	---					46
		12	---	---					55.2
		16	---	---					73.6
		20	---	---					92
400	426	10	325	8	270	250	18		55.5
		12	325	10					66.6
		16	325	12					88.8
		18	325	16					100
		10	377	10					55.5
		12	377	12					66.6
		16	377	16					88.8
		18	377	18					100
		10	---	---					55.5
		12	---	---					66.6
		16	---	---					88.8
		18	---	---					100